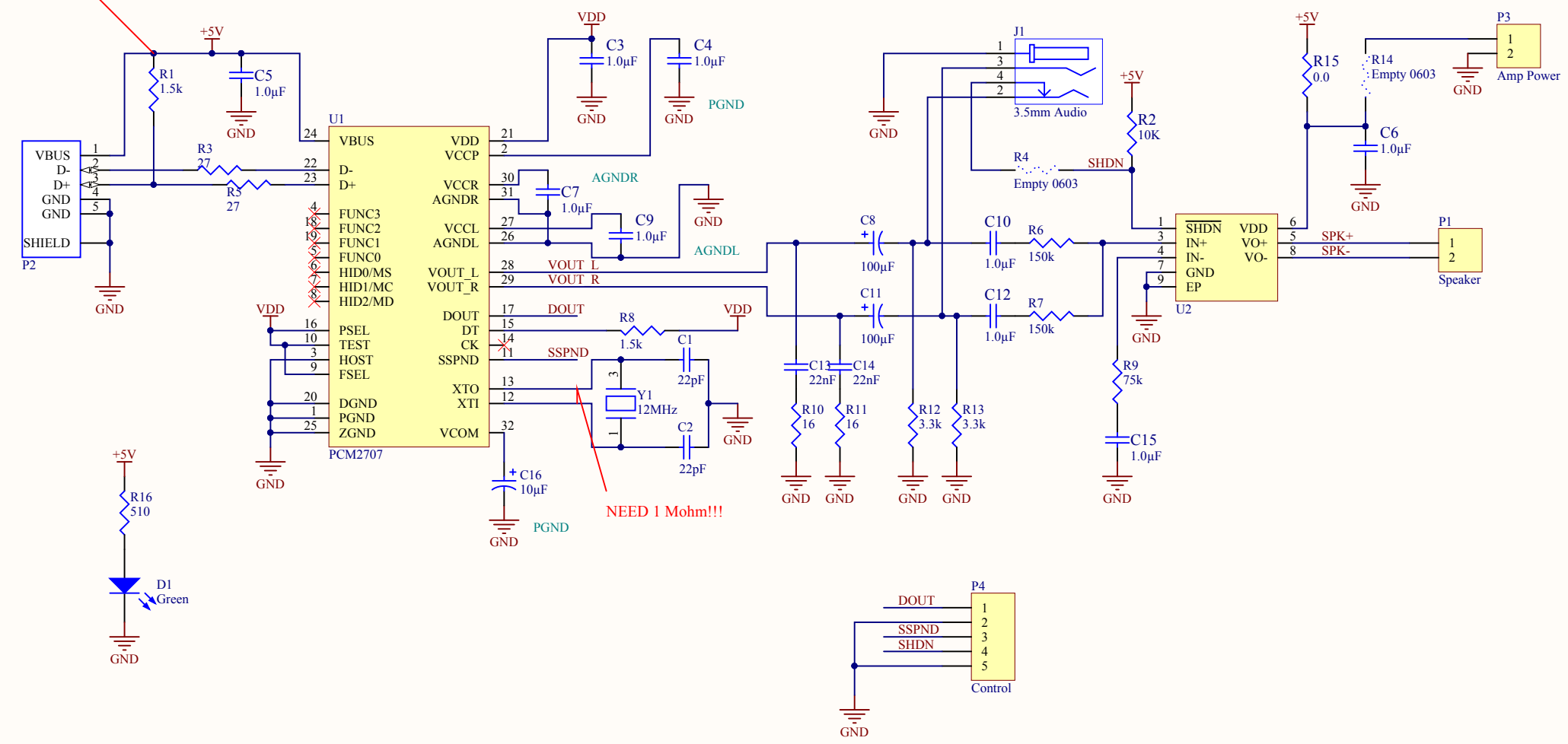


R1 should be connected to VDD, not +5V  
(but this appears to work)

DSS

NEED 1 Mohm!!!



Title		www.pagemac.com
USB DAC AMP		
Size	Number	Revision
B		
Date:	5/28/2015	Sheet of
File:	C:\azure dev\UDA.SchDoc	Drawn By: