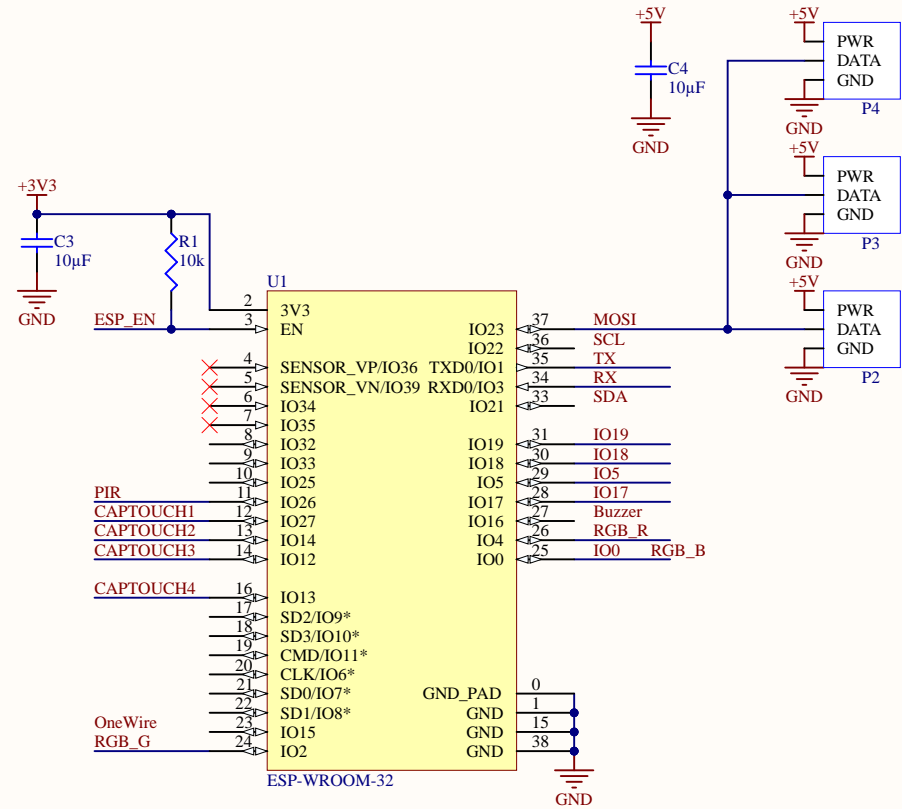
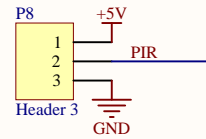
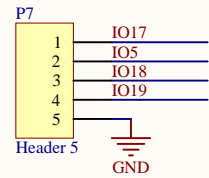
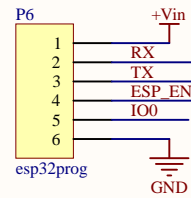
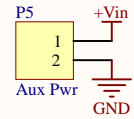
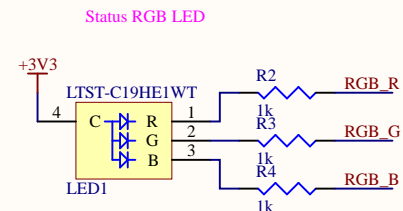


3.3V LDO



3 LED headers to choose from



DSS
SS1

DAX LOGO
SS2

Title		daxLEDesp		www.pagemac.com	
Size	B	Number		Revision	rev 1
Date:	9/26/2023	Sheet of		Drawn By:	
File:	C:\dev\...\daxLEDesp.SchDoc				